




Short description



- Aluminium-alloy IP65 single point load cell
- Colourless anodized
- Suitable for single and double load cells structured platform scales
- Maximum platform size: 600 x 600 mm
- A 1000 Ohm type available (R1) but is excluded from OIML

 Test certificate no. D09-03.22 Revision 2
C of C no R60/2000-NL1-17.67

Available models

Capacity	Accuracy	Full article description
50kg	C3	L6G-C3-50kg-3G6
100kg	C3	L6G-C3-100kg-3G6
150kg	C3/C4	L6G-C3/C4-150kg-3G6
200kg	C3/C4	L6G-C3/C4-200kg-3G6
250kg	C3/C4	L6G-C3/C4-250kg-3G6
300kg	C3/C4	L6G-C3/C4-300kg-3G6
500kg	C3/C4	L6G-C3/C4-500kg-3G6
600kg	C3/C4	L6G-C3/C4-600kg-3G6

Specifications and dimensions are subject to change without notice and do not constitute any liability whatsoever.

Type L6G Load Cell

Technical specifications L6G

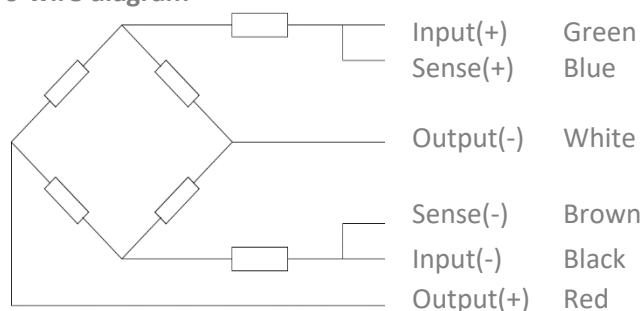
Accuracy class		OIML R60 C3	OIML R60 C4
Output sensitivity (= FS)	mV/V	2.0 ± 0.2	
Maximum capacity (E _{max})	kg	50, 100, 150, 200, 250, 300, 500, 600	150, 200, 250, 300, 500, 600
Max.number of load cell intervals	n _{LC}	3000	4000
Ratio of min. LC verification interval	$Y = E_{max} / V_{min}$	10000	15000
Combined Error	%FS	≤± 0.0230	≤± 0.0175
Minimum dead load	Of E _{max}	0%	
Safe overload	of E _{max}	150 %	
Ultimate overload	of E _{max}	300 %	
Zero balance	of FS	< ± 2.0 %	
Excitation, recommended voltage	V	5 ~ 12	
Excitation maximum	V	18	
Input resistance	Ω	406 ± 6	
Output resistance	Ω	350 ± 3	
Insulation resistance	MΩ	≥5000 (at 50VDC)	
Compensated temperature	°C	-10 ~ +40	
Operating temperature	°C	-35 ~ +65	
Storage temperature	°C	-40 ~ +70	
Element material		Aluminium	
Ingress Protection (acc. to EN 60529)		IP65	
Recommended torque on fixation bolts	Nm	M8:25	

Wiring

Features:

Shielded, 6 conductor cable
 Cable diameter: Ø6mm
 Cable length: 3m
 Shield connected to element
 Cable jacket in PVC

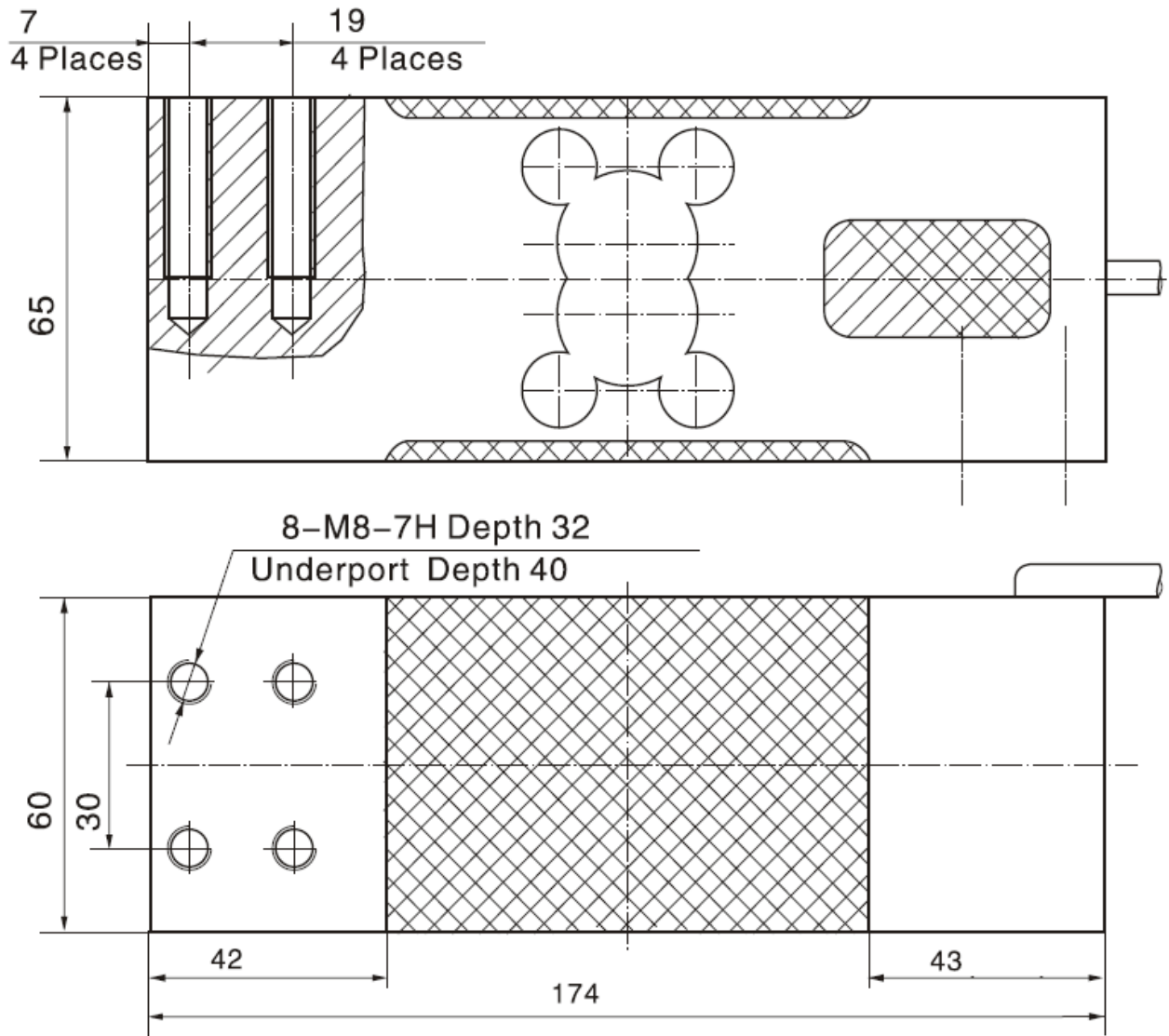
6-wire diagram



Specifications and dimensions are subject to change without notice and do not constitute any liability whatsoever.

Type L6G Load Cell

Dimensions in mm



Specifications and dimensions are subject to change without notice and do not constitute any liability whatsoever.