



## Short Description



- Stainless steel IP68 shear beam load cell
- Hermetically sealed
- Suitable for hopper, platform and pallet scales
- High accuracy
- Current calibrated (A1-option)



Test certificate no. TC8104 Revision 2  
C of C no R60/2000-NL1-13.20 Revision 1



Certificate no. 11-056A1

## Available Models

Capacity	Accuracy	Full Article Description
500kg	C3	BM8H-C3-500kg-3B-A1
1t	C3	BM8H-C3-1t-3B-A1
1.5t	C3	BM8H-C3-1.5t-3B-A1
2t	C3	BM8H-C3-2t-6B-A1
5t	C3	BM8H-C3-5t-6B-A1

Specifications and dimensions are subject to change without notice and do not constitute any liability whatsoever.

## Technical Specifications BM8H

Accuracy Class		OIML R60 C3	
Output Sensitivity (= FS)	mV/V	2.0 ± 0.02	
Maximum Capacity ( E <sub>max</sub> )	t	0.5, 1, 1.5, 2, 5	
Max. Number of Load Cell Intervals	n <sub>LC</sub>	3000	
Ratio of min. LC Verification Interval	$Y = E_{max} / V_{min}$	10000	
Combined Error	%FS	≤± 0.02	
Creep Error (30 minutes)	%FS	≤± 0.016	
Temperature Effect on Zero (ZTC)	%FS/10°C	≤± 0.02	
Temperature Effect on Sensitivity (STC)	%FS/10°C	≤± 0.015	
Zero Balance	%FS	≤± 1.0	
Safe Overload	%FS	150	
Ultimate Overload	%FS	300	
Maximum Deflection	mm	0.5t – 2t: 0.1108 ~ 0.24	5t: 0.63
Excitation, Recommended Voltage	V	5 ~ 12	
Excitation, Maximum Voltage	V	18	
Input Resistance	Ω	1000 ± 10	
Output Resistance	Ω	1000 ± 10	
Insulation Resistance (50V)	MΩ	≥5000	
Compensated Temperature	°C	-10 ~ + 40	
Operating Temperature	°C	-35 ~ + 65	
Storage Temperature	°C	-40 ~ + 80	
Load Cell Weight	kg	0.5t – 2t: 0.9 ~ 1.1	5t: 2.0
Element Material		Stainless Steel	
Ingress Protection (acc. to EN 60529)		IP68	
Recommended Torque on Fixation Bolts	Nm	M12: 100	M20: 450
ATEX Classification (optional)		II 1G Ex ia IIC T4 Ga	II 1D Ex ia IIIC T <sub>200</sub> 135°C Da
			II 3G Ex ic IIC T4 Gc

## Wiring

### Features:

Cable type: Shielded, 4 & 6 conductor cable options , 4-conductor AWG 22 / 6-conductor AWG 28

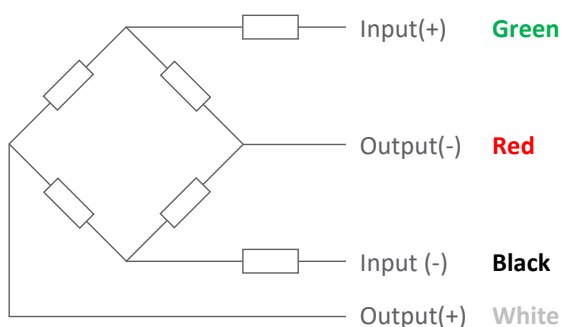
Cable diameter: Ø 5.0mm

Cable length: 3.0m for 500kg – 1t, 6m for 2t – 5t

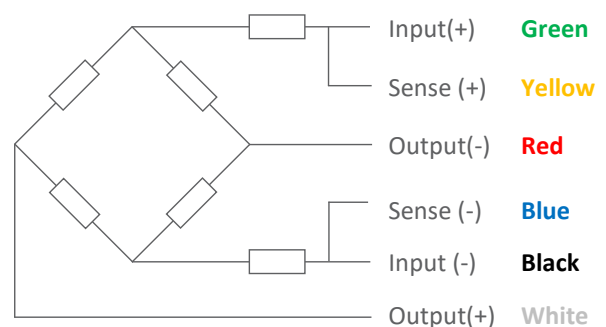
Cable jacket: Polyurethane

Shield not connected to element

### 4-Wire Connection Diagram



### 6-Wire Connection Diagram

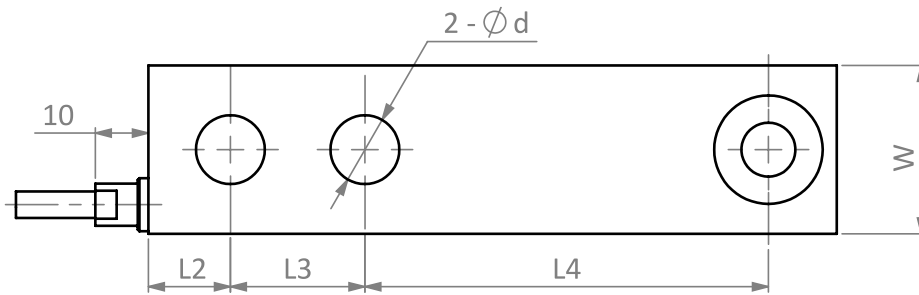


Specifications and dimensions are subject to change without notice and do not constitute any liability whatsoever.

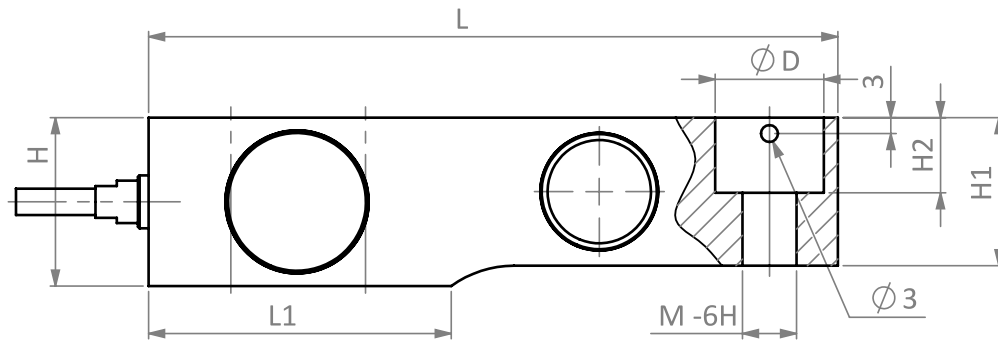
# Type BM8H Load Cell

## Dimensions in mm

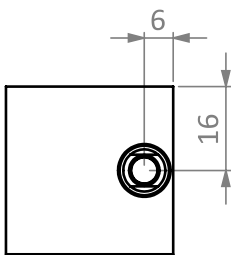
### Top View



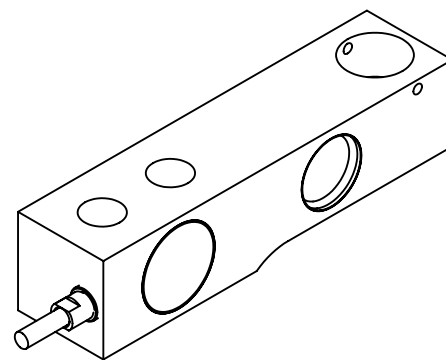
### Front View



### Side View

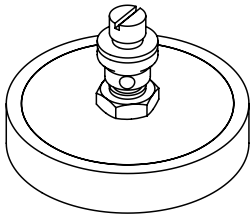
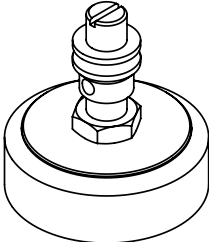
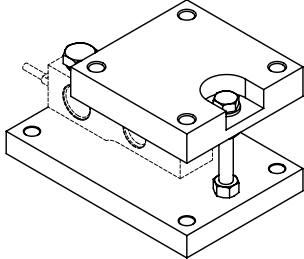
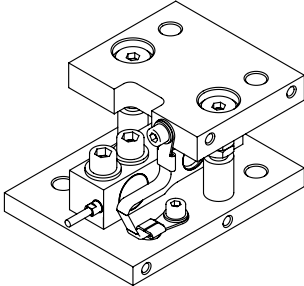
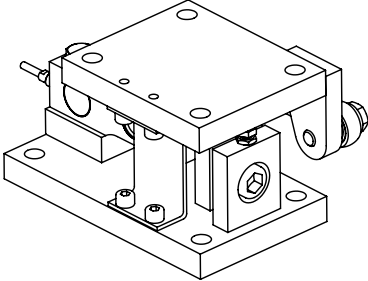


### Isometric View



Dimension Capacity	L	L1	L2	L3	L4	H	H1	H2	W	D	d	M
500kg	130.0	57.1	15.5	25.4	76.2	31.8	26.0	14.2	31.8	20.5	13	M12
1.0t	130.0	57.1	15.5	25.4	76.2	31.8	27.95	14.2	31.8	20.5	13	M12
1.5t, 2.0t	130.0	57.1	15.5	25.4	76.2	35.9	31.95	14.2	31.8	20.5	13	M12
5.0t	172	76.2	19.1	38.1	95.3	44	40	20	38	30.2	20.5	M20

## Available Accessories

<p><b>BJ-8-206-0.25t/2t Foot</b></p> <ul style="list-style-type: none"> <li>• Ø80mm and height 34-40 mm</li> <li>• Stainless Steel</li> <li>• Adjustable Height</li> <li>• Including load adaptor</li> <li>• Easy installation</li> </ul>	
<p><b>BJ-8-207-0.25t/2t &amp; 5t Foot</b></p> <ul style="list-style-type: none"> <li>• Ø 60 &amp; 80mm diameter</li> <li>• Stainless Steel</li> <li>• Including load adaptor</li> <li>• Adjustable Height (41~48mm / 67~77mm)</li> <li>• Easy installation</li> </ul>	
<p><b>BM-8-406-0.25/2t &amp; 5t Mount</b></p> <ul style="list-style-type: none"> <li>• Hardened stainless steel components</li> <li>• Self-aligning construction</li> <li>• Using under heavy static load or slight dynamic load</li> <li>• Lift-off protection</li> </ul>	
<p><b>BM-8-411-0.5/1t, 1.5/2t &amp; 5t Mount</b></p> <ul style="list-style-type: none"> <li>• Hardened stainless steel components</li> <li>• Self-aligning construction</li> <li>• Using under heavy static load or slight dynamic load</li> <li>• Lift-off protection</li> <li>• Optional stay-rod assembly available for horizontal forces &amp; movement protection</li> </ul>	
<p><b>BM-8-904 0.5/1t, 1.5/2t &amp; 5t Mount</b></p> <ul style="list-style-type: none"> <li>• Complete kit for easy mounting</li> <li>• Stainless steel type 1.4301 (304)</li> <li>• Includes lift-off protection, loadcell dummy, ground cable and transport plate</li> <li>• Optional rod-end available for horizontal forces &amp; movement protection</li> </ul>	
<p><b>BM8H Elastomer 0.5t – 2t &amp; 5t</b></p> <ul style="list-style-type: none"> <li>• Suitable for shock load</li> <li>• Easy installation</li> <li>• Made from galvanised construction steel and natural rubber</li> </ul>	